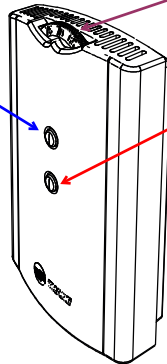


# Unit Dimensions - End Devices and Sensors (X1351152701)

X1351152701  
Zone Sensor w/O + C + Set Ad



Timed Override On  
or  
Occupied House  
Button

Local thumbwheel setpoint

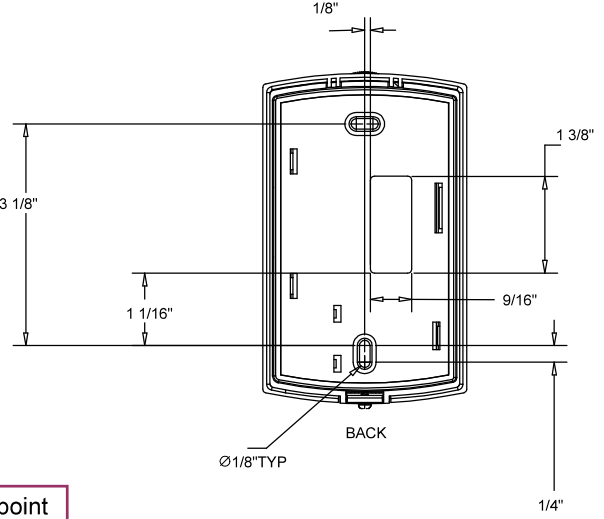
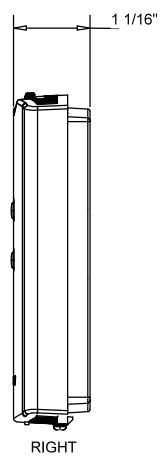
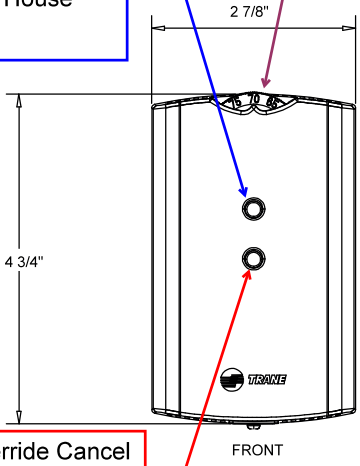
Timed Override Cancel  
or  
Unoccupied House  
Button

During unoccupied hours the timed override function will work by pressing the Timed Override On button for a period of 2-5 seconds. This will initiate a timed override occupied command of the associated unit for a period of 60 minutes.

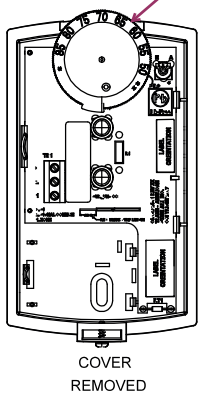
During unoccupied hours the timed override cancel function will work by pressing the Timed Override Cancel button for a period of 2-5 seconds. This will initiate a timed override cancel command of the associated unit and will stop the previously requested timed override.

Timed Override On  
or  
Occupied House  
Button

Local thumbwheel setpoint



Timed Override Cancel  
or  
Unoccupied House  
Button



Local thumbwheel setpoint

Local setpoint can be disabled, in which the setpoint would be set from the building management software. The local setpoint can also be enabled with full range of control or setpoint limitations can be set through the building management software. Cumberland County Schools have the local setpoint enabled with limitations for the minimum cooling setpoint (73 degrees F) and the maximum heating setpoint (70 degrees F). The only exceptions for having an enabled setpoint would be sensors that are located in common areas (gym, cafeteria, hallway, etc.), in this case the local setpoint will be disabled and the area will be controlled to the setpoint limits described above.